

BASIC EQUIPMENT:

- A: 1 Scope-Body
- B: 1 ZEISS - Lens Ø29mm
- C: 1 O-Ring for lens
1 O-Ring 4x2 or 5x2
- D: 1 Clear Threading, Hole-Ø1,5mm
- E: 1 Level Ø6,7x21 in clear holder
1 Scope Tool
- F: 1 Fluor Pin Red for
Hole-Ø1,5mm/sight-■1,5mm

OPTIONS:

- Righthanded or Lefthanded
- Threads: #8-32 or #10-32
- Colours: Black, Clear, Red, Green

LENSES:

Convex/concave ZEISS-Lenses, extra-coated, 29mm diameter.
Power: + 0.25, + 0.50, + 0.75, + 1.00, +1.25

ACCESSORIES:

WEATHERSHIELD

Colours: Black, Red, Light

THREADRINGS

- Colours :Black, Clear, Red, Green
- no Crosshair
- Crosshair, Hole-Ø1,5mm
- Crosshair, Hole-Ø2,5mm

FLUORPINS

- Colours: Red, Green Orange, Blue, Black
- for Hole-Ø1,5mm/sight ■1,5mm
- for Hole-Ø2,5mm/sight ■2,5mm
- Colours: Red, Green Orange
- for Hole-Ø1,5mm/sight ■2,5mm
- for Hole-Ø2,5mm/sight ■3,5mm

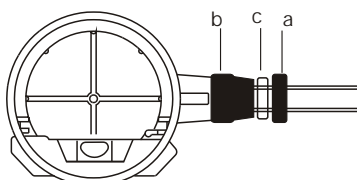
LEVEL Ø6,7x21IN HOLDER

- green level in clear holder
- red level in clear holder
- blue level in clear holder

MOUNTING ADVICE

ATTENTION: The Scope must be fixed tight to the sight! Use following Beiter Spacers:

- #8-32 (black) 2mm (a) and 5mm (b)
- #10-32 (grey) 2mm (a) and 5mm (b)
- O-Ring 4x2 for #8-32 (c)
- O-Ring 5x2 for #10-32 (c)

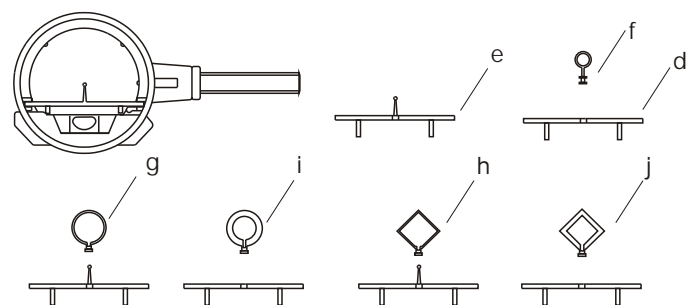


SHIELD for LEVEL

- Without Pin (d), with or without break-through, Colours: Black, Red, Green, Orange, Clear
- With Pin (e), with or without break-through, Colours: Black, Red, Green, Orange, Clear

MOUNTING ADVICE

To install the shield, first push out the level, than insert the shield (pins backwards) in the device of the scope body. Reinstall and clip in the level.



SIGHT INSERTS

Rings and Square in following colours:
Black, Red, Green, Orange

Rings: 4mm (f), 6mm (i) or 9mm (g)

Square: 6mm (j) or 9mm (h)

Use the 4mm Ring only on the shield for level without pin!

Using sight inserts, the cross in the thread ring should be cut out with small pliers.