

The **Beiter** SIGHT-TUNNEL

The Beiter Sight Tunnel has interchangeable inserts, allowing a great number of different sight combinations and aiming options.

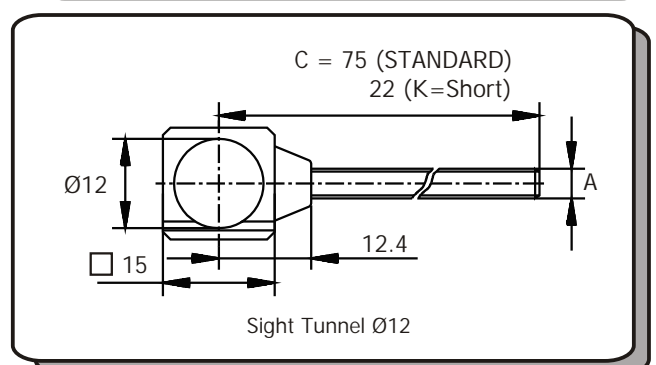
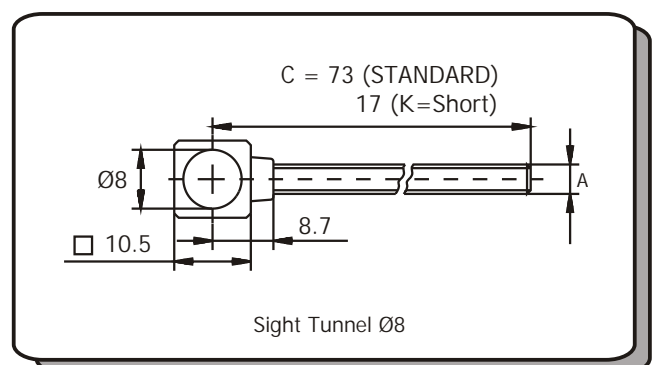
With the aid of the Sight-Pin Tool the inserts can easily be replaced.

Two different models are available in two different colours and several different thread types.



Sight Tunnel Ø12, with Insert #13 in black and orange Fluor-Pin Ø2,5mm (Optional)

BEITER SIGHT TUNNEL				
Code#	Inner-diam. in mm	Thread	Dist. "C" in mm	each sales unit includes
Sight Tunnel Ø8				
VT88__	8	#8-32	73	Sight Tunnel Ø8mm, Sight-Pin Tool, 1 ea. Insert #2 Red and #5 Black
VT84__		M4	17	
VT84K__				
Sight Tunnel Ø12				
VT128__	12	#8-32	75	Sight Tunnel Ø12mm, Sight-Pin Tool, 1 ea. Insert #11 Red and #15 Black
VT1210__		#10-32		
VT124__		M4	22	
VT124K__				
BEITER SIGHT TUNNEL - Single (no spare parts incl.)				
Sight Tunnel Ø8				
VTE88__	8	8-32	73	
VTE84__		M4	17	
VTE84K__				
Sight Tunnel Ø12				
VTE128__	12	#8-32	75	
VTE1210__		#10-32		
VTE124__		M4	22	
VTE124K__				



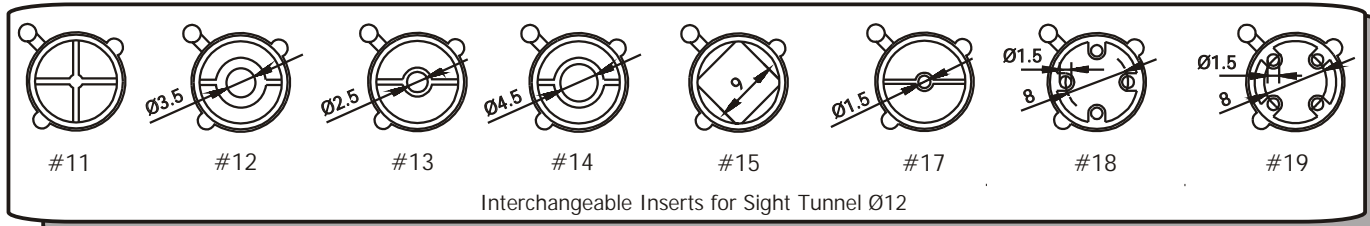
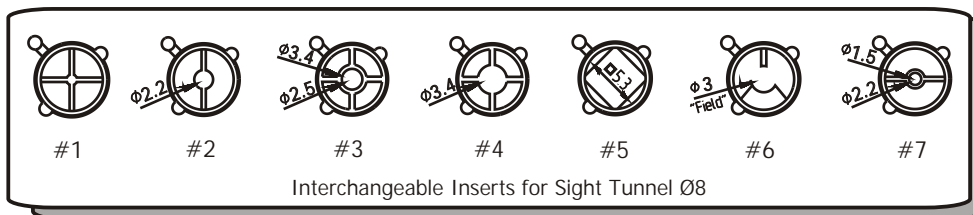
Code-numbers:

The Code-numbers for the Beiter Sight Tunnel are following:
 Product Group (VT/VTE)/Size in mm (12 or 8)/
 Thread (8=#8-32, 10=#10-32, 4=M4, 4K=M4 short)/
 Body Colour (SW=Black, KL=Clear, RT=Red, WS=White):
 - VT1210SW
 -> Sight Tunnel, Ø12mm, Thread #10-32, Colour Black
 - VT84KKL
 -> Sight Tunnel, Ø8mm, Thread M4 Short, Colour Clear
 - VTE88KL
 -> Sight Tunnel, Body Ø8mm only, #8-32, Colour Clear

The Beiter SIGHT-TUNNEL ACCESSORIES

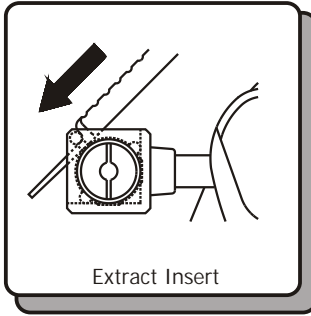
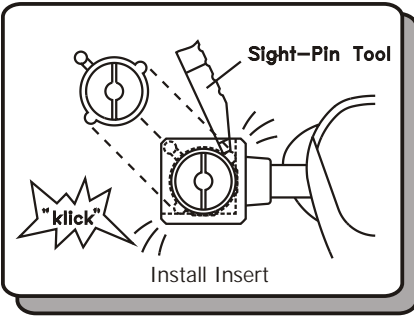
Fluor Pins may be inserted in the Inserts #3, #7, #13 and #17 (Sight Tunnel - Accessories).

Scope Pins may be inserted in the Inserts #7 and #17 (Scope Ø39 and Scope Ø29K - Accessories).



Inserts for the Beiter Sight Tunnel can be easily installed and extracted with the Sight Pin Tool.
Code Number: VTTOOL

Sight Pin Tool



HINTS:

- ⇒ Installing Inserts: It is very important to hear the "click", to be sure you have installed the insert correctly.
- ⇒ Removing Inserts: Push the Sight-Pin Tool in the direction of the arrow. Because of the slightly conical Sight-Pin Tool, the tunnel will open and the Insert can be removed without any problem.
- ⇒ Important! Clip in the inserts #7 and #17 horizontal so the vibrations of the Fluor Pins can be absorbed better.

Code-numbers:

The Code-number for Beiter Inserts for Sight Tunnel consists out of:

Product Group (VT)/Type (INS)/Model#/Colour, e.g.

- VTINS7OR -> Sight Tunnel, Ø8mm, Insert #7, Colour Orange

- VTINS13MP -> Sight Tunnel, Ø12mm, Insert #13, Multipack, 1 ea. per colour

SIGHT TUNNEL INSERTS							
Code#	Colour						
	clear	fl.red	fl.green	fl.orange	black	multipack	multipack
	KL	RT	GR	OR	SW	MP	MP
Sales unit 10 St.						SU 5 pcs.	SU 4 pcs.
Sight Tunnel Ø8							
VTINS1__		●	●	●	●		●
VTINS2__		●	●	●	●		●
VTINS3__	●	●	●	●	●	●	
VTINS4__		●	●	●	●		●
VTINS5__		●	●	●	●		●
VTINS6__		●	●	●	●		●
VTINS7__	●	●	●	●	●	●	
Sight Tunnel Ø12							
VTINS11__		●	●	●	●		●
VTINS12__		●	●	●	●		●
VTINS13__	●	●	●	●	●	●	
VTINS14__		●	●	●	●		●
VTINS15__		●	●	●	●		●
VTINS17__		●	●	●	●		
VTINS18__	●	●	●	●	●	●	
VTINS19__	●	●	●	●	●	●	
Inserts #18 + #19 not to be used for FITA tournaments!							

The **Beiter** SIGHT-TUNNEL

FRAME INSERTS

The Beiter Sight-Tunnel is available also with a variable Frame-Insert-Kit-System with different hole diameters.

The easily exchangeable Inserts are conform to FITA rules and allow to offer the best individual aiming spot at different distances for any archer.

- ⇒ The Inserts are available in the colours RED, BLACK and CLEAR and are sold only as a Kit.
- ⇒ For the Beiter Sight-Tunnel Ø12 the set consists out of 5 inserts (e.g. 1 ea. in diam. 3,0 4,5 6,0 7,5 and 9,0mm in the ordered colour).
- ⇒ Für das Beiter Visiertunnel Ø8 the set consists out of 4 inserts (e.g. 1 ea. in diam. 3,0 4,0 5,0 6,0mm in the ordered colour).
- ⇒ The Beiter Sight-Tunnel can be ordered as Standard Version (as shown on page 1) or as Sight-Tunnel & Frame-Inserts-Kit.
- ⇒ All three colours of the Frame-Kit Inserts do have their advantages, especially the CLEAR version is interesting: the colours of the target show up blurred in the Insert, except in the hole: this offers a clear and net view, increasing focussing, concentration and therefor aiming.



Code-numbers:

The Code-numbers for the Beiter Sight Tunnel and the Beiter Frame Insert Kit are following:

Sight-Tunnel:

Product Group (VTE)/Size in mm (12 or 8)/ Thread (8=#8-32, 10=#10-32, 4=M4, 4K=M4 short)/ Body Colour (SW=Black, KL=Clear, RT=Red, WS=White).

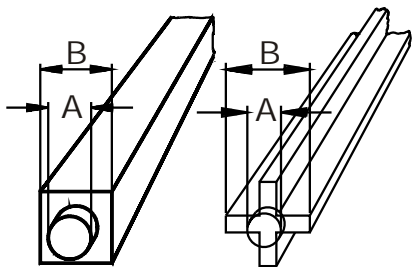
Frame Kit Inserts:

Product Group (VTINS)/Size (01=12mm oder 08=8mm) - Colour of the Inserts (SW=Black, RT=Red, KL=Clear).

Some possible options:

- VTE88KL + VTINS08RT
- > Sight-Tunnel single, Ø8mm, Thread #8-32, Colout Clear + Frame Inserts Kit for Sight-Tunnel Ø8mm in Red
- VTINS01SW
- > Frame Inserts Kit for Sight-Tunnel Ø8mm in Red

The Beiter SIGHT-TUNNEL ACCESSORIES



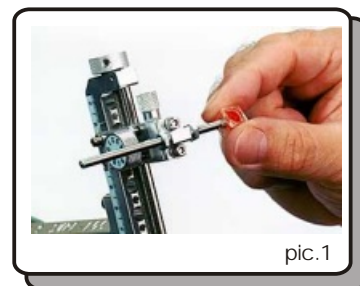
HINTS:

- ⇒ Remove the Fluor Pin from the insert, every time you pack away your bow. It is best to remove the Pin every time, so the plastic will not be affected. Otherwise it is possible that it could drop from the Sight Tunnel while shooting.
- ⇒ To preserve the Pin, it is a good idea to simply put it into your Beiter Armguard!
- ⇒ Important! Clip in the inserts #7 and #17 horizontal so the vibrations of the Fluor Pins can be absorbed better.

		FLUOR PINS						
Code#	fit for	diam. "A" in mm	view "B" in mm	Colour				
				fl.red	fl.green	fl.orange	fl.blue	black
				RT	GR	OR	BL	SW
FP1515__	VTINS7	1,5	1,5	●	●	●	●	●
	VTINS17							
	VTINS18							
	VTINS19							
	SCEGR15							
FP1525__	VTINS7	1,5	2,5	●	●	●	●	
	VTINS17							
	VTINS18							
	VTINS19							
	SCEGR15							
FP2525__	VTINS3	2,5	2,5	●	●	●	●	●
	VTINS13							
	SCEGR25							
FP2535__	VTINS3	2,5	3,5	●	●	●	●	
	VTINS13							
	SCEGR25							
FP2535K__	VTINS3	2,5	Cross 3,5	●	●	●		
	VTINS13							
	SCEGR25							

Fixation on the sight:

- ⇒ When in conjunction with the Sight Tunnel, the O-Rings are working as a friction, allowing the thread to be turned without losing any nuts! (pic.1)
- ⇒ O-Rings (OR4X2 for 8-32 or M4, OR5X2 for 10-32) absorb vibrations on Sight Tunnel and Scopes, thereby preventing them working loose.



A Level is available for the Beiter Sight Tunnel Ø12. This Level can easily be installed and removed, without any tool. Even if the Level can not be used during FITA tournaments (but for example in IFAA tournaments!), it can be a very important tool during training sessions to learn to hold the bow straight or to learn to shoot better in Field Tournaments.

Code-numbers:

- VTWWGRKL-> Level for Sight Tunnel Ø12, Green/Clear Body
- VTWWGRSW-> Level for Sight Tunnel Ø12, Green/Black Body

