

The Beiter SCOPE Ø29

The Beiter Scope Ø29 has been the first archery product developed by Werner Beiter especially for the Compound Market.

The Beiter Scope Ø29 is available exclusively with a convex/concave extra-coated silicate ZEISS lens. Worldwide Werner Beiter is the only archery manufacturer using original ZEISS Lenses for Scopes!

Thanks to the silicate lens, the Beiter Scope Ø29 offers the best value for the archer, combined with a large option of accessories.

The ZEISS Lens Ø29 is available in following dioptries (Magnification):

- ⇒ +0,25 (~ 2 X)
- ⇒ +0,50 (~ 4 X)
- ⇒ +0,75 (~ 6 X)
- ⇒ +1,00 (~ 8 X)
- ⇒ +1,25 (~ 10 X)



You have the choice out of 2 versions: Standard or DLX. Both have a different concept.

The Scope Ø29 Standard includes a Crosshair with a Fluor Pin and a small Level in Holder.

The Scope Ø29 DLX Basic Unit has no Crosshair, no aiming point and no Level. These can be adapted to the need of your customer with many different options.

For the DLX Basic Unit we offer two Aiming Kits (including aiming dots and holder, as well as the level), but you may decide to combine any single option to be able to offer your individual Scope, eventually also as a Special Edition for your Shop!

BEITER SCOPE Ø29 Standard

Sales Unit:

- ⇒ Scope Body, **RH** or **LH**, #10-32 or #8-32, **Black, Clear, Red** or **Green**
- ⇒ Lens Ø29 mm (+0,25, +0,50, +0,75, +1,00, +1,25)
- ⇒ Threading Clear with Crosshair, hole-diam.1,5mm
- ⇒ Fluor Pin Ø1,5/1,5mm, Red
- ⇒ Scope Tool
- ⇒ O-Ring for Lens
- ⇒ Level in Holder (Green/Clear, Green/Black, Red/Clear, Red/Black)

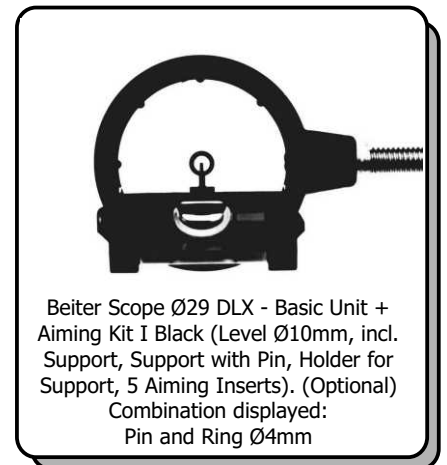
BEITER SCOPE Ø29 DLX - Basic Unit

Sales Unit:

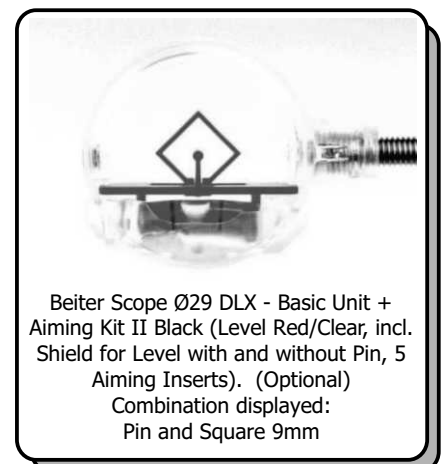
- ⇒ Scope Body, **RH** or **LH**, #10-32 or #8-32, **Black, Clear, Red** or **Green**
- ⇒ Lens Ø29 mm (+0,25, +0,50, +0,75, +1,00, +1,25)
- ⇒ Threading Clear
- ⇒ Scope Tool
- ⇒ O-Ring for Lens



Beiter Scope Ø29 Standard
Optional: Black Crosshair Ø1,5mm,
Shield for Level Orange



Beiter Scope Ø29 DLX - Basic Unit +
Aiming Kit I Black (Level Ø10mm, incl.
Support, Support with Pin, Holder for
Support, 5 Aiming Inserts). (Optional)
Combination displayed:
Pin and Ring Ø4mm



Beiter Scope Ø29 DLX - Basic Unit +
Aiming Kit II Black (Level Red/Clear, incl.
Shield for Level with and without Pin, 5
Aiming Inserts). (Optional)
Combination displayed:
Pin and Square 9mm

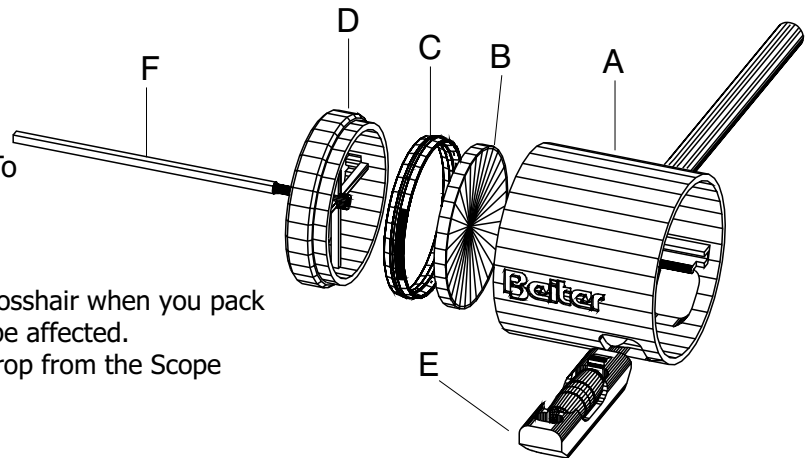
The Beiter SCOPE Ø29

ACCESSORIES

ASSEMBLING the BEITER SCOPE Ø29

The Beiter Beiter Scope Ø29 must be assembled as follows:

LENS (B) - O-RING (C) - THREADRING (D). To fix the Threading in the Scope Body (A) use the included Scope Tool.



IMPORTANT! Remove the Fluor Pin from the Crosshair when you pack away your bow every time; the material will not be affected. Otherwise it is possible that the Fluor Pin could drop from the Scope while shooting.

The Level in Holder must be inserted from the side until it clicks!

Following we would like to introduce you to our Code-numbers for the Beiter Scope Ø29 Standard and DLX (DLX without level and aiming dots!). Therefore please pay attention:

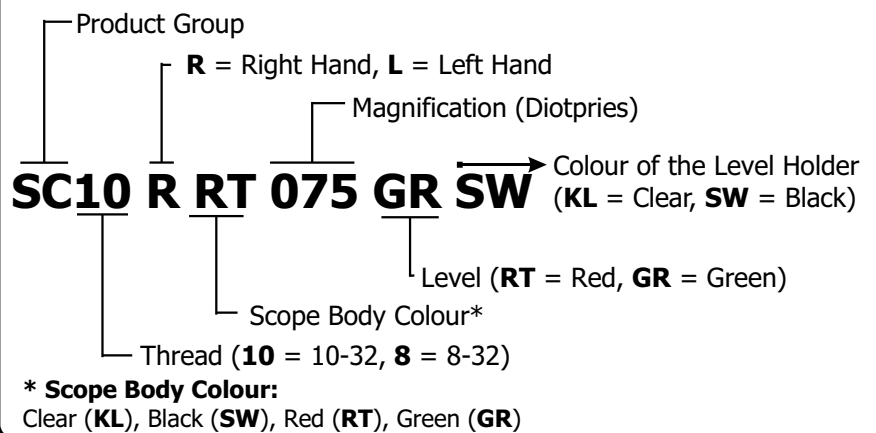
STANDARD version:

- ⇒ Specify the thread size.
- ⇒ Specify the Body colour and the colour of the Level.
- ⇒ Special Requests are always possible, e.g. the colour of the Crosshair can be defined, the colour of the Fluor Pin.
- ⇒ Also all other accessories, can be added as for example Shields for Level an Rings or Squares...
- ⇒ Those parts are explained in the following pages.

DLX version (Basic Unit):

- ⇒ There is no Level or aiming dot included!!
- ⇒ You can individually choose your combination of Level and aiming advice or decide to equip the Basic Unit with one of the two available Aiming Kit: **KIT 1** (Level Ø10mm) or **KIT 2** (small Level). Those options are explained in following pages.

BEITER SCOPE Ø29 - Standard



BEITER SCOPE Ø29 DLX - Basic Unit

