

# The Beiter SCOPE Ø29 K

The Beiter Scope Ø29mm program consists out of two different lens types, both manufactured by ZEISS: one is made out of glass, the other is called K-Lens. Both are threated with the best available ZEISS coating, making them almost free of reflections. Behind the name ZEISS K-LENS we offer maybe the highest-quality lens of ZEISS. The K-LENS (K=Kunststoff, german for plastic) weights **50% less than a similar glass lens** with the same dioptries!

The K-LENS also shows a brand-new feature: a center hole with 1,5mm diameter. In this hole you have several aiming options thanks to the Beiter Scope Pins or the already known Fluor Pins Ø1,5m.

ZEISS K-LENSES are available with center hole diam. 1,5mm for the use with Scope Pins or without.

The ZEISS K-LENS is available with following dioptries (Magnification):

- ⇒ +0,25 (~ 2 X)
- ⇒ +0,50 (~ 4 X)
- ⇒ +0,75 (~ 6 X)
- ⇒ +1,00 (~ 8 X)
- ⇒ +1,25 (~ 10 X)



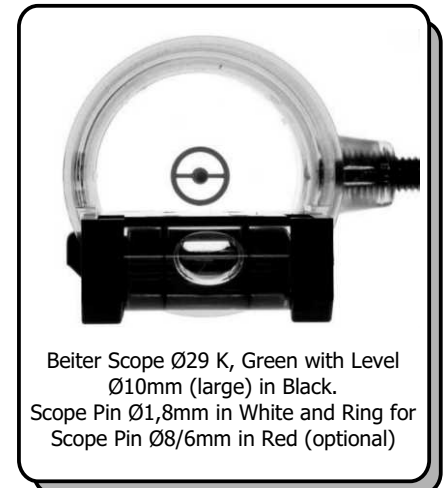
Beiter Scope Ø29 K in Black,  
Level Red/Clear (small).  
Scope Pin Ø2,5mm in Red (optional)

The Scope Ø29K can be ordered in 2 different models, depending on the choice of the Level:

## BEITER SCOPE Ø29 K - with small Level

### Basic Sales unit:

- ⇒ Scope body, **RH** or **LH**, #10-32 or #8-32, **Black, Clear, Red** or **Green**
- ⇒ K-Lens Ø29mm (+0,25, +0,50, +0,75, +1,00 or +1,25)
- ⇒ Threading Clear without Crosshair
- ⇒ Scope Tool
- ⇒ O-Ring for Lens
- ⇒ Level in Holder (Green/Clear, Green/Black, Red/Clear, Red/Black)



Beiter Scope Ø29 K, Green with Level  
Ø10mm (large) in Black.  
Scope Pin Ø1,8mm in White and Ring for  
Scope Pin Ø8/6mm in Red (optional)

## BEITER SCOPE Ø29 K - with Level Ø10mm, Green

### Basic Sales unit:

- ⇒ Scope body, **RH** or **LH**, #10-32 or #8-32, **Black, Clear, Red** or **Green**
- ⇒ K-Lens Ø29mm (+0,25, +0,50, +0,75, +1,00 or +1,25)
- ⇒ Threading Clear without Crosshair
- ⇒ Scope Tool
- ⇒ O-Ring for Lens
- ⇒ Level Ø10mm in Green, with Support without Pin and Holder for Support, with the choice out of following colours: Red, Green, Black, Orange

### LEVEL Ø10MM SYSTEM

The Level Ø10mm system consists out of: 1 support with or without pin, 1 Holder for support and 1 level Ø10mm. Available Colours: **Black, Red, Green, Orange, Clear**.

**Mounting Advice:** mount the desired sight insert on the support. Clip the level into the support and insert it (pins backwards) in the device of the scope body. Now clip in the holder for support.

**Effect:** the level will turn into the colour of the used support/holder combination!

# The Beiter SCOPE Ø29 K

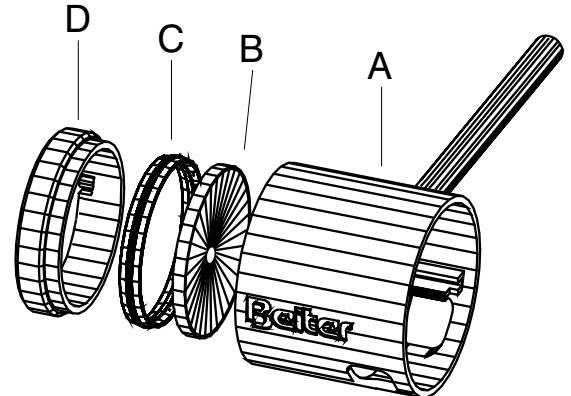
## ACCESSORIES

### ASSEMBLING the BEITER SCOPE Ø29 K

The Beiter Beiter Scope Ø29 K must be assembled as follows:

K-LENS (B) - O-RING (C) - THREADRING (D).

To fix the Threading in the Scope Body (A) use the included Scope Tool.

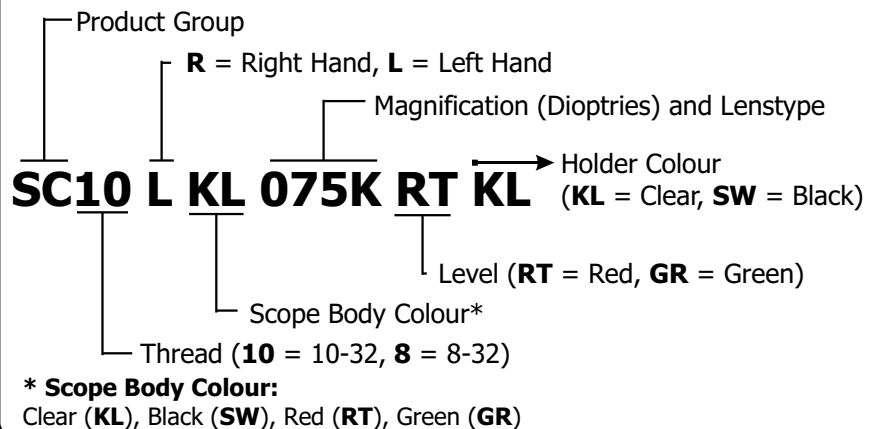


Please use the Scope Pin Tool to install or extract the Beiter Scope Pins into or from the Lens Ø29.

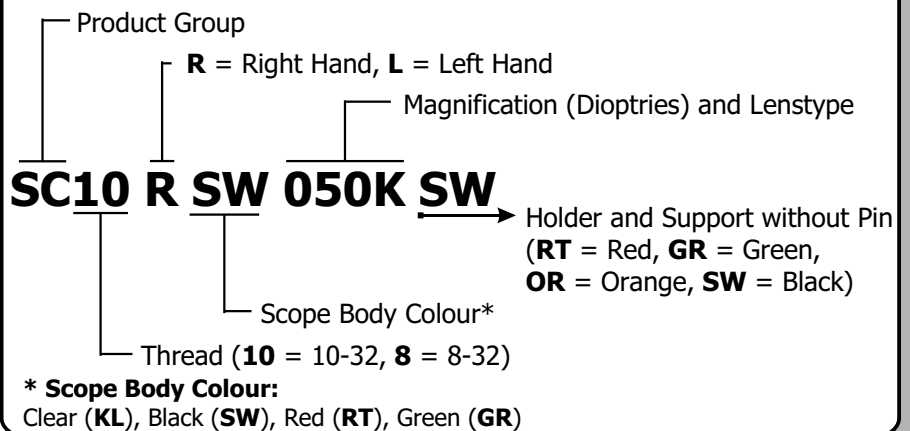
Following we would like to introduce you to our Code-numbers for the Beiter Scope Ø29 K. The Scope Ø29 K can be ordered either with a small or a large level. Therefore please pay attention to:

- ⇒ Specify the desired Level size and colour
- ⇒ Order the combination of Scope Pins and/or Rings for Scope Pins, either as a Kit or singularly.
- ⇒ Add a short note **if you want the K-Lens to be delivered WITHOUT HOLE**, because the Standard option for the K-Lens is with a Center hole diam. 1,5mm!

### BEITER SCOPE Ø29 K - with small Level



### BEITER SCOPE Ø29 K - with Level Ø10mm



# The Beiter SCOPE Ø29 K

## ACCESSORIES

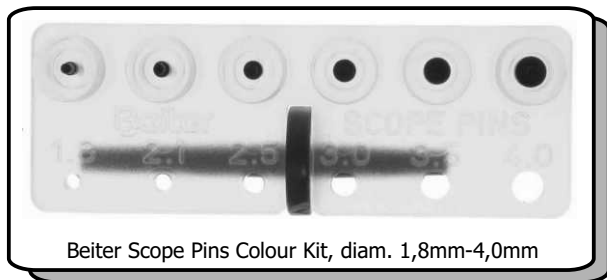
### BEITER SCOPE PINS and RINGS for SCOPE PINS

Beiter Scope Pins have been developed for the use with the K-Lens (center hole Ø1,5mm) and offer one of the most advanced aiming systems on the market, as well as the fastest exchange of size and/or colour of the aiming device!

Beiter Scope Pins are available in following diameters:

**1,8mm - 2,1mm - 2,5mm - 3,0mm - 3,5mm -  
4,0mm - 5,0mm - 6,0mm**

Available colours: **Black, Red** and **White**



Beiter Scope Pins may be ordered as single pieces or as a kit.

Following two Kits are available:

⇒ **Scope Pins Colour-Kit**

6 Pins, 1 per size 1,8-4,0mm in the ordered colour, Scope Pin Holder and Scope Pin Tool.

⇒ **Scope Pins Size-Kit**

6 Pins, 2 per colour in the ordered size 1,8-4,0mm, Scope Pin Holder and Scope Pin Tool.

**IMPORTANT!**

Beiter Scope Pins may also be used in combination with the Sight Tunnel Inserts #7 and #17!

SCOPE PINS	
Code#	Description
<b>Colour-Kit</b>	
SC7677FKRT	Scope Pin Colour-Kit, Red
SC7677FKSW	Scope Pin Colour-Kit, Black
SC7677FKWS	Scope Pin Colour-Kit, White
<b>Size-Kit</b>	
SC7677MK18	Scope Pin Size-Kit, Ø1,8mm
SC7677MK21	Scope Pin Size-Kit, Ø2,1mm
SC7677MK25	Scope Pin Size-Kit, Ø2,5mm
SC7677MK30	Scope Pin Size-Kit, Ø3,0mm
SC7677MK35	Scope Pin Size-Kit, Ø3,5mm
SC7677MK40	Scope Pin Size-Kit, Ø4,0mm
<b>Single Scope Pins</b>	
SC767718RT	Scope Pin, Ø1,8mm, Red
SC767718SW	Scope Pin, Ø1,8mm, Black
SC767718WS	Scope Pin, Ø1,8mm, White
SC767721RT	Scope Pin, Ø2,1mm, Red
SC767721SW	Scope Pin, Ø2,1mm, Black
SC767721WS	Scope Pin, Ø2,1mm, White
SC767725RT	Scope Pin, Ø2,5mm, Red
SC767725SW	Scope Pin, Ø2,5mm, Black
SC767725WS	Scope Pin, Ø2,5mm, White
SC767730RT	Scope Pin, Ø3,0mm, Red
SC767730SW	Scope Pin, Ø3,0mm, Black
SC767730WS	Scope Pin, Ø3,0mm, White
SC767735RT	Scope Pin, Ø3,5mm, Red
SC767735SW	Scope Pin, Ø3,5mm, Black
SC767735WS	Scope Pin, Ø3,5mm, White
SC767740RT	Scope Pin, Ø4,0mm, Red
SC767740SW	Scope Pin, Ø4,0mm, Black
SC767740WS	Scope Pin, Ø4,0mm, White
SC767750RT	Scope Pin, Ø5,0mm, Red
SC767750SW	Scope Pin, Ø5,0mm, Black
SC767750WS	Scope Pin, Ø5,0mm, White
SC767760RT	Scope Pin, Ø6,0mm, Red
SC767760SW	Scope Pin, Ø6,0mm, Black
SC767760WS	Scope Pin, Ø6,0mm, White
<b>Single Spare Parts</b>	
SC7678BL	Scope Pin Tool, Blue
SC7683	Scope Pin Holder

The **Scope Pin Holder** helps to store not used Scope Pins, but also to determine the size of the Scope Pins.

The blue **Scope Pin Tool** is a useful tool to easily install and extract the Scope Pins from the K-Lens.

# The Beiter SCOPE Ø29 K

## ACCESSORIES

### BEITER SCOPE PINS and RINGS for SCOPE PINS

#### RINGS FOR SCOPE PINS

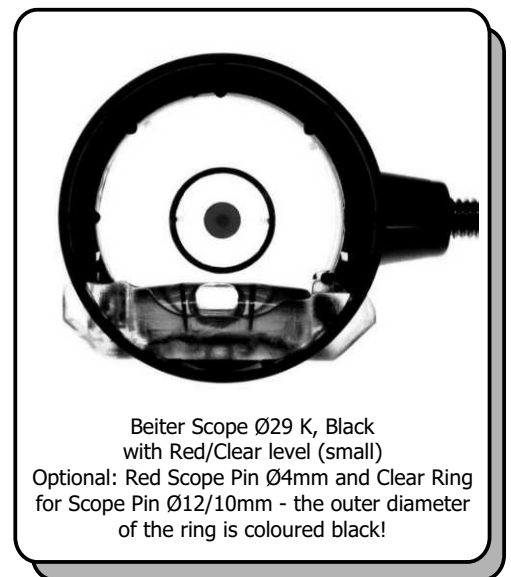
The Ring for Scope Pin must be inserted on the Scope Pin before it will be installed onto the lens. With this aiming option an archer can aim with dot and ring, which is highly appreciated in Field Archery and Indoor.

Thanks to the system developed by Werner Beiter, an individual set-up to the archers needs is possible. Not only the size of Ring and Pin can be easily exchanged, but also the colour.

Available as Colour Kit or Size Kit consisting out of 3 Rings either 1 ea. Ø8/Ø6, Ø10/Ø8, Ø12/Ø10 in the desired colour or 1 ea. colour in the desired size.

Colours: **Red, Black, Clear**

RINGS for SCOPE PINS	
Code#	Description
<b>Colour-Kit</b>	
SC7716FKRT	Rings for Scope Pin, Colour-Kit, Red
SC7716FKSW	Rings for Scope Pin, Colour-Kit, Black
SC7716FKKL	Rings for Scope Pin, Colour-Kit, Clear
<b>Size-Kit</b>	
SC7716MK86	Rings for Scope Pin Size-Kit, Ø8/Ø6mm
SC7716MK108	Rings for Scope Pin Size-Kit, Ø10/Ø8mm
SC7716MK1210	Rings for Scope Pin Size-Kit, Ø12/Ø10mm
<b>Single Rings for Scope Pins</b>	
SC771686RT	Rings for Scope Pin Size-Kit, Ø8/Ø6mm, Red
SC7716108RT	Rings for Scope Pin Size-Kit, Ø10/Ø8mm, Red
SC77161210RT	Rings for Scope Pin Size-Kit, Ø12/Ø10mm, Red
SC771686SW	Rings for Scope Pin Size-Kit, Ø8/Ø6mm, Black
SC7716108SW	Rings for Scope Pin Size-Kit, Ø10/Ø8mm, Black
SC77161210SW	Rings for Scope Pin Size-Kit, Ø12/Ø10mm, Black
SC771686KL	Rings for Scope Pin Size-Kit, Ø8/Ø6mm, Clear
SC7716108KL	Rings for Scope Pin Size-Kit, Ø10/Ø8mm, Clear
SC77161210KL	Rings for Scope Pin Size-Kit, Ø12/Ø10mm, Clear



Beiter Scope Ø29 K, Black  
with Red/Clear level (small)  
Optional: Red Scope Pin Ø4mm and Clear Ring  
for Scope Pin Ø12/10mm - the outer diameter  
of the ring is coloured black!

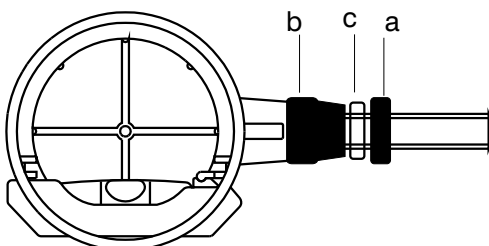
#### AVOID SCOPE ROD BREAKING!

To avoid the breaking of the threaded Scope Rod - due to the high stress caused by the sight during the shot - we recommend to use the Beiter Scope Adapter 5/8 in combination with a compatible 3rd Axis System!

Code-number: **SCAD58**



#### MOUNTING ADVICE without SCOPE ADAPTER



#### ATTENTION:

If you can not fix the Scope tight to the sight with the Scope Adapter, we suggest you to use following Beiter Spacers:

#10-32 (Grey): **SCE105** (b - 5mm) **SCE102** (a - 2mm)

#8-32 (Black): **SCE85** (b - 5mm) **SCE82** (a - 2mm)

**OR52** (O-Ring 5x2 for #10-32) or **OR42** (4x2 for #8-32)

# The Beiter SCOPE Ø29 K

## ACCESSORIES

### BEITER WEATHERSHIELD FOR SCOPE Ø29



The Beiter Scope and Weathershield has the solution for shooting in the rain or respectively strong sun. The Weathershield prevents the lens from becoming wet and if it is very sunny prevents the sun from blinding the archer. The Weathershield has to be fixed on the top of the scope with the black rings delivered with it. It can be used by both left- and right-handed archers. The Black and the Red Weathershield should be used in sunny conditions, the Light one when it rains and/or the light conditions are not too good.

Available colours: **Black, Red and Light**



The Beiter Weathershield for Scope Ø29 is available in 3 colours: Red, Light and Black.

### BEITER SCOPE Ø29 K - ACCESSORIES

Code#	Description
<b>Weathershield</b>	
SCWSHL	Scope Ø29, Weathershield, Hell
SCWSRT	Scope Ø29, Weathershield, Red
SCWSSW	Scope Ø29, Weathershield, Black
SCORSW	Scope Ø29, Ring for Weathershield, Black
<b>Level standard (small)</b>	
SCEWWGRKL	Scope Ø29, Level small, Green/Clear
SCEWWGRSW	Scope Ø29, Level small, Green/Black
SCEWWRTKL	Scope Ø29, Level small, Red/Clear
SCEWWRTSW	Scope Ø29, Level small, Red/Black
<b>Level Ø10 mm</b>	
SCEWW10GR	Scope Ø29, Level Ø10mm, Green
SCETWWRT	Scope Ø29, Support for Level Ø10mm, Red
SCETWWSW	Scope Ø29, Support for Level Ø10mm, Black
SCETWWGR	Scope Ø29, Support for Level Ø10mm, Green
SCETWWOR	Scope Ø29, Support for Level Ø10mm, Orange
SCEHWVRT	Scope Ø29, Holder for Support, Red
SCEHWWSW	Scope Ø29, Holder for Support, Black
SCEHWWGR	Scope Ø29, Holder for Support, Green
SCEHWWOR	Scope Ø29, Holder for Support, Orange
<b>Various Accessories</b>	
SC1032	Scope, Threaded Rod, #10-32
SC832	Scope, Threaded Rod, #8-32
SCEM1032	Scope, Nut, #10-32, 10pcs.
SCEM832	Scope, Nut, #8-32, 10pcs.
SCE105	Scope, Spacer, #10-32, 5mm, 10pcs.
SCE102	Scope, Spacer, #10-32, 2mm, 10pcs.
SCE85	Scope, Spacer, #8-32, 5mm, 10pcs.
SCE82	Scope, Spacer, #8-32, 2mm, 10pcs.
OR52	O-Ring 5 x 2 (for Spacer), 10pcs.
OR42	O-Ring 4 x 2 (for Spacer), 10pcs.
SCAD58	Scope, Adapter Ø5 to Ø8

# The Beiter SCOPE Ø29 K

## ACCESSORIES

As for all other Beiter products, also the Beiter Scope Ø29 K is available in single components and with lots of accessories.

You may order these spare parts and accessories listed in this and the previous page at any time. Werner Beiter still produces all the products he developed for Archery!

### ZEISS MICROFIBER CLEANING PAD

We offer an original ZEISS MICROFIBER Cleaning Pad, which helps preventing scratches on the coated lens surface while cleaning your Zeiss K-Lens.

Code-number: **SCEZTUCH**

### BEITER SCOPE Ø29 K - SPARE PARTS

Code#	Description
<b>Scope Body</b>	
SCE10RKL	Scope Ø29, #10-32, Body single, Clear, RH
SCE10RSW	Scope Ø29, #10-32, Body single, Black, RH
SCE10RRT	Scope Ø29, #10-32, Body single, Red, RH
SCE10RGR	Scope Ø29, #10-32, Body single, Green, RH
SCE10LKL	Scope Ø29, #10-32, Body single, Clear, LH
SCE10LSW	Scope Ø29, #10-32, Body single, Black, LH
SCE10LRT	Scope Ø29, #10-32, Body single, Red, LH
SCE10LGR	Scope Ø29, #10-32, Body single, Green, LH
SCE8RKL	Scope Ø29, #8-32, Body single, Clear, RH
SCE8RSW	Scope Ø29, #8-32, Body single, Black, RH
SCE8RRT	Scope Ø29, #8-32, Body single, Red, RH
SCE8RGR	Scope Ø29, #8-32, Body single, Green, RH
SCE8LKL	Scope Ø29, #8-32, Body single, Clear, LH
SCE8LSW	Scope Ø29, #8-32, Body single, Black, LH
SCE8LRT	Scope Ø29, #8-32, Body single, Red, LH
SCE8LGR	Scope Ø29, #8-32, Body single, Green, LH
<b>Zeiss K-Lenses Ø29 (standard - with hole Ø1,5mm)</b>	
SCEZ025K15	K-Lens, Zeiss, +0,25, Ø29mm, Ø1,5mm
SCEZ050K15	K-Lens, Zeiss, +0,50, Ø29mm, Ø1,5mm
SCEZ075K15	K-Lens, Zeiss, +0,75, Ø29mm, Ø1,5mm
SCEZ100K15	K-Lens, Zeiss, +1,00, Ø29mm, Ø1,5mm
SCEZ125K15	K-Lens, Zeiss, +1,25, Ø29mm, Ø1,5mm
SCEZTUCH	Cleaning Pad for Zeiss-Lenses
<b>Threaded Rings without Crosshair</b>	
SCEGRKL	Scope Ø29, Threaded Ring, Clear
SCEGRSW	Scope Ø29, Threaded Ring, Black
SCEGRRT	Scope Ø29, Threaded Ring, Red
SCEGRGR	Scope Ø29, Threaded Ring, Green
<b>Accessories</b>	
SCORKL	O-Ring for Lens Clear
SCTOOL	Scope, Tool