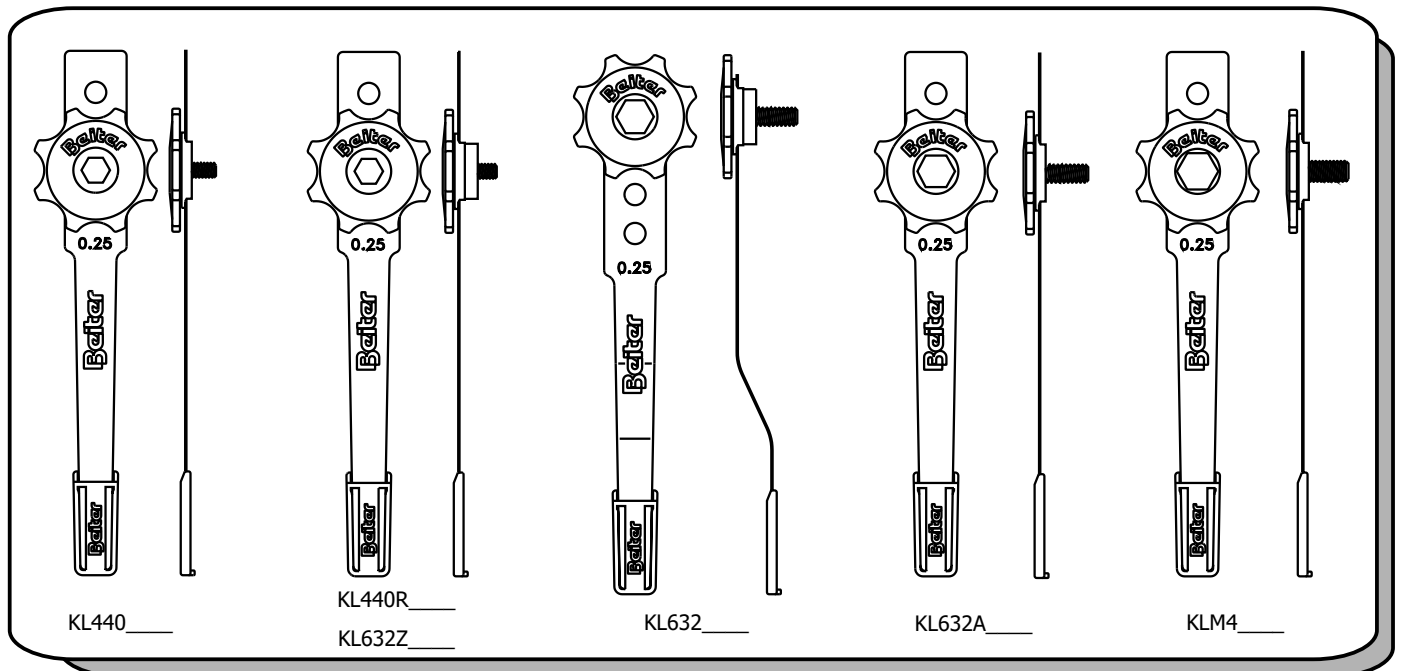
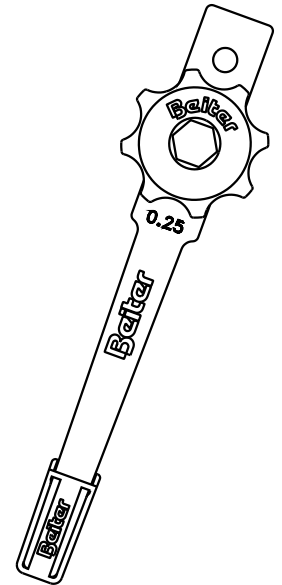


The Beiter KLICKER

The **Beiter Klicker** has been used and appreciated since its introduction:

- ⇒ **3 different thread types** - metric (M4) or inches (4-40, 6-32) - for all common handles.
- ⇒ **3 different plate-thicknesses** - 0.20mm/0.25mm/0.30mm - for the archer's individual preference.
- ⇒ **2 different colours for Wheel and Cap** - Black and Light.
- ⇒ **Straight** or **Bent** Klicker-plates, as requested.
- ⇒ **Available in chromed (shiny) or black (only 0,25).**

BEITER KLICKER				
Code#	for following bows*	Wheel with Screw	Klicker Plate	Screw Washer
* (not being the manufacturer, we can not guarantee the information to be complete or true)				
KLM4__	e.g. for OK, Yamaha, Best, K.G., Samick, Marksman, Nishizawa, ...	M4	straight	Light
KL440__	e.g. for Hoyt Elan, Hoyt TD4. Sky Conquest, Green Horn,...	4-40 x 5/16"	straight	Black
KL440R__	e.g. for Hoyt Radian, Hoyt Avalon By Bernardini...	4-40 x 3/8"	straight	Purple
KL632__	e.g. PSE Centra, PSE Universal ...	6-32 x 3/8"	bent	Darkgreen
KL632Z__	e.g. PSE Zone, PSE Intrepid, Win&Win (part.ly), Browning S3, ...	6-32 x 3/8"	straight	Darkgreen
KL632A__	e.g. for Win&Win (part.ly), PSE X-Factor, Hoyt Axis, Hoyt Matrix, Hoyt AeroTec,...	6-32 x 5/16"	straight	Blue



Code-numbers:

The Code-number for the Beiter Klicker consist out of:

Product Group (KL)/Type/Blade thickness/Blade Colour (-- =Chromed, SW=Black), Capand Wheel Colour (SW=Black, HL=Light), e.g.

- **KL632A20SW** -> Klicker, 6-32A, 0,20, Black

- **KLM425SWHL** -> Klicker, M4, 0,25, Black Blade, Light Wheel and Cap

The Beiter KLICKER

ACCESSORIES - SPARE PARTS

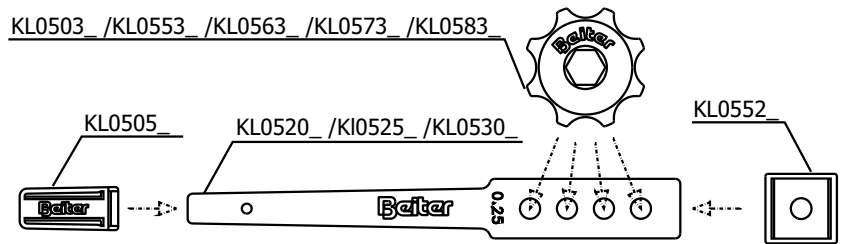


Klicker Caps are available in 2 lengths.

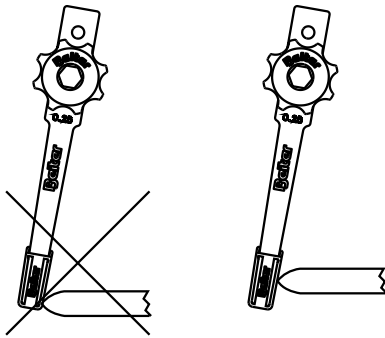
The **standard version** in 4 colours (Black, Light, Fl. Red, Fl. Green).

The **long version** (4mm longer!) only in Black or Light.

KL0503_ /KL0553_ /KL0563_ /KL0573_ /KL0583

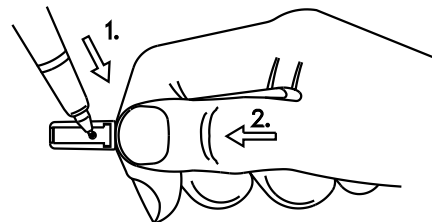


Alle spare parts for Beiter Klicker may be ordered separately.



The correct length of the Klicker is very important (see the drawing!), to avoid the arrow jumping after the Klick!

If the 4 holes on the Beiter Klicker makes it still too short, than you may use 4mm longer Klicker Caps, available in Black or Light.



Changing the cap is easy and can be done by following 2 steps:

First push against the pin on the backside with a pencil releasing the cap.

Than slide it out with the thumb.

ATTENTION!!

The Black Blade Klicker can not be bent as the Silver chromed version!

Do not over-bend or deform it, it may brake!!

BEITER KLICKER SPARE PARTS

Code#	Description	Sales unit
KL05051	Cap Standard, Light	10
KL05052	Cap Standard, Black	10
KL05053	Cap Standard, Red	10
KL05054	Cap Standard, Green	10
KL05061	Cap Long (+4mm), Light	10
KL05062	Cap Long (+4mm), Black	10
KL05201	Klicker Plate flat, 0,20mm	1
KL05251	Klicker Plate flat, 0,25mm	1
KL05301	Klicker Plate flat, 0,30mm	1
KL05202	Klicker Plate bent, 0,20mm	1
KL05252	Klicker Plate bent, 0,25mm	1
KL05302	Klicker Plate bent, 0,30mm	1
KL05253	Klicker Plate flat, 0,25mm, Black	1
KL05521	Screw Washer, M4, Light	1
KL05522	Screw Washer, 4-40, Black	1
KL05523	Screw Washer, 4-40R, Purple	1
KL05524	Screw Washer, 6-32, Darkgreen	1
KL05525	Screw Washer, 6-32A, Blue	1
KL05031	Wheel with Srew M4, Light	1
KL05032	Wheel with Srew M4, Black	1
KL05531	Wheel with Srew 4-40, Light	1
KL05532	Wheel with Srew 4-40, Black	1
KL05631	Wheel with Srew 4-40R, Light	1
KL05632	Wheel with Srew 4-40R, Black	1
KL05731	Wheel with Srew 6-32, Light	1
KL05732	Wheel with Srew 6-32, Black	1
KL05831	Wheel with Srew 6-32A, Light	1
KL05832	Wheel with Srew 6-32A, Black	1