

The Beiter SIGHT-TUNNEL

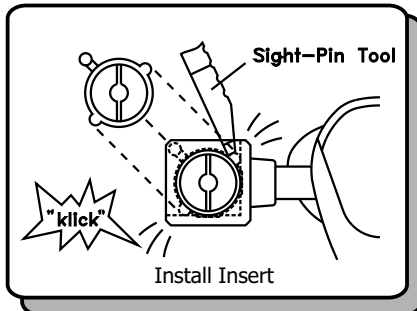
HINTS & INSTRUCTIONS

Inserts for the Beiter Sight Tunnel can be easily installed and extracted with the Sight Pin Tool.

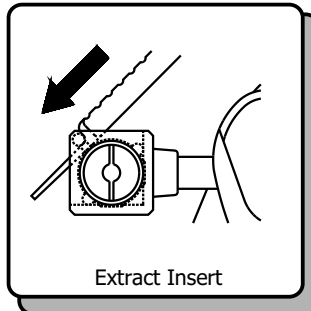
Code Number: **VTTOOL**



Sight Pin Tool



Install Insert



Extract Insert

HINTS:

- ⇒ Installing Inserts: It is very important to hear the "**click**", to be sure you have installed the insert correctly.
- ⇒ Removing Inserts: Push the Sight-Pin Tool in the direction of the arrow. Because of the slightly conical Sight-Pin Tool, the tunnel will open and the Insert can be removed without any problem.
- ⇒ Important! Clip in the inserts #7 and #17 **horizontal** so the vibrations of the Fluor Pins can be absorbed better.

Fixation on the sight:

- ⇒ When in conjunction with the Sight Tunnel, the O-Rings are working as a friction, allowing the thread to be turned without losing any nuts! (pic.1)
- ⇒ O-Rings (OR4X2 for 8-32 or M4, OR5X2 for 10-32) absorb vibrations on Sight Tunnel and Scopes, thereby preventing them working loose.

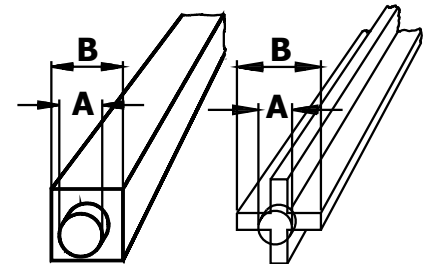
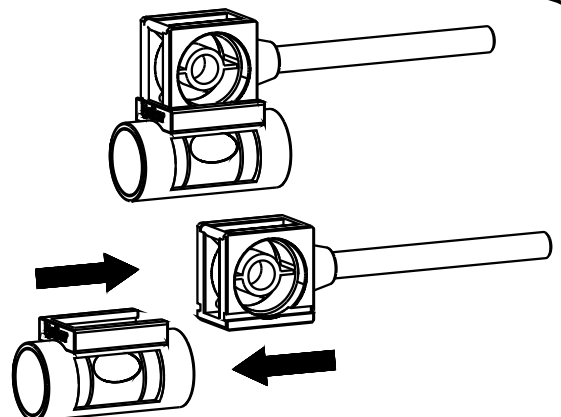


pic.1

A Level is available for the Beiter Sight Tunnel Ø12. This Level can easily be installed and removed, without any tool. Even if the Level can not be used during FITA tournaments (but for example in IFAA tournaments!), it can be a very important tool during training sessions to learn to hold the bow straight or to learn to shoot better in Field Tournaments.

Code-numbers:

- **VTWWGRKL**-> Level for Sight Tunnel Ø12, Green/Clear Body
- **VTWWGRSW**-> Level for Sight Tunnel Ø12, Green/Black Body



HINTS:

- ⇒ Remove the Fluor Pin from the insert, every time you pack away your bow. It is best to remove the Pin every time, so the plastic will not be affected. Otherwise it is possible that it could drop from the Sight Tunnel while shooting.
- ⇒ To preserve the Pin, it is a good idea to simply put it into your Beiter Armguard!
- ⇒ **Important!** Clip in the inserts #7 and #17 **horizontal** so the vibrations of the Fluor Pins can be absorbed better.