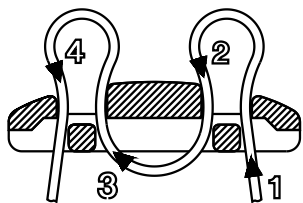
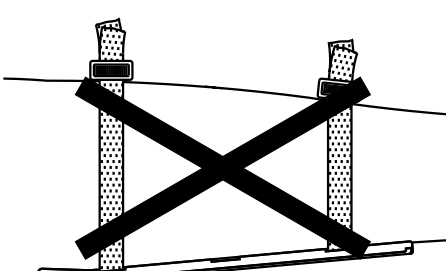


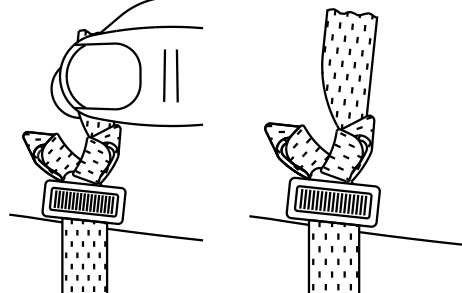
The Beiter ARMGUARD



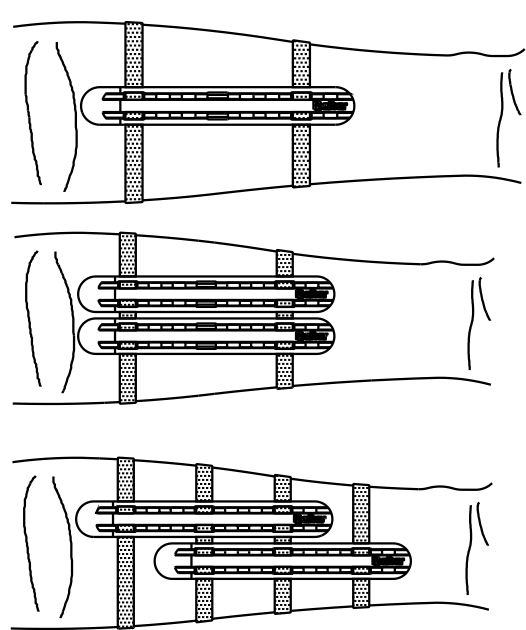
Insert the Rubber Bands as displayed to avoid malfunction.



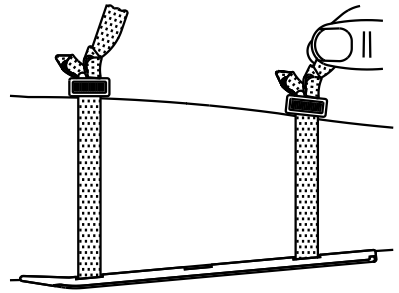
Do not knot the Rubber Band ends together, but do knot the ends separately!




If you have to cut the Rubber Band insert the fastener and use a lighter to burn the ends of the Rubber Band.
Make a knot at both ends of the Rubber Band!



It is possible to combine 2 or more Amguard bodies as shown in the drawing. So you may avoid any bigger string contact, for example if the archer are wearing a loose fit clothing.




If you want to fit the Armguard to your arm, simply pull **one** end of the Rubber Band. Pressing the Fastener you release it.



A fastener can be used in combination with a rubber band to make an ideal fit for almost any finger tab. Following items can be ordered for this purpose:

ARG15 Rubber Band 15cm
ARF35 Fastener
Heavy Orange



HINT: Fluor Pins may be easily stored in the Beiter Armguard (as shown in the picture!)